

Weights

Operating weight with TOPS canopy and bucket (ISO 6016)	1176 kg
Transport mass (no attachment)	1077 kg
Ground pressure with rubber tracks	29.70 kPa

Engine

Make / model	Kubota / D722-E4B (Stage V)
Fuel	Diesel
Number of cylinders	3
Displacement	719 cm ³
Maximum power @ 2000 rpm (ISO 14396)	7.5 kW
Maximum torque (SAE)	40.1 Nm

Hydraulic System

Pump type	Double gear pump
Total hydraulic capacity	20.00 L/min
Auxiliary flow	20.00 L/min
Auxiliary relief	190.0 bar

Performance

Digging force, dipperstick (ISO 6015)	5550 N
Digging force, bucket (ISO 6015)	8294 N
Drawbar pull	9905 N
Travel speed, low range	2.1 km/h
Travel speed, high range	3.1 km/h

Slew System

Boom swing, left	67.0°
Boom swing, right	64.0°
Slew rate	9.0 RPM

Fluid Capacities

Fuel reservoir	16.00 L
Hydraulic reservoir	2.60 L

Environmental

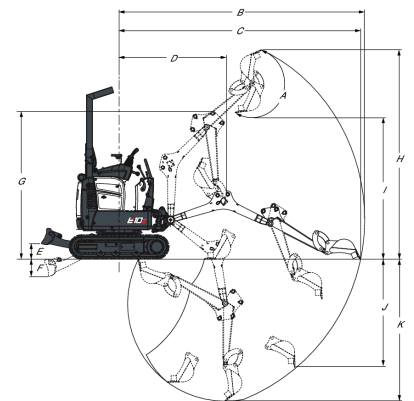
Noise level LpA(EU Directive 2006/42/EC)	80 dB(A)
Noise level LWA(EU Directive 2000/14/EC)	93 dB(A)

Standard Features

710 mm dozer blade / 1100 mm extended	Seat
180 mm rubber track	Two-speed travel
Auxiliary hydraulics on boom with quick couplers	TOPS canopy ¹
Control console locks	Vandalism protection
Horn	Water separator
Electronically activated track expansion	Work light
Hydraulically expandible undercarriage from 710 to 1100 mm	Warranty: 24 months, 2000 hours (whichever occurs first)
Retractable seat belt	

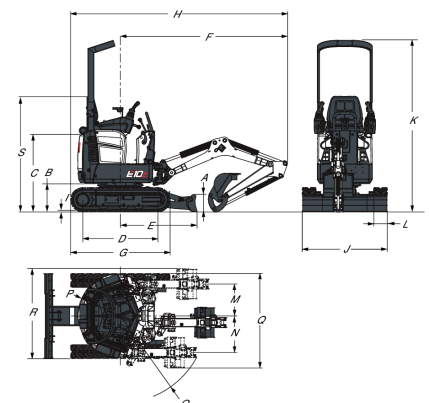
1. Tip Over Protective Structure (TOPS) – Meets requirements of ISO 12117

Working Range



(A)	196.0°	(G)	1899.0 mm
(B)	3145.0 mm	(H)	2685.0 mm
(C)	3093.0 mm	(I)	1818.0 mm
(D)	1374.0 mm	(J)	1383.0 mm
(E)	196.0 mm	(K)	1820.0 mm
(F)	230.0 mm		

Dimensions



(A)	220.0 mm	(J)	710.0 mm
(B)	363.0 mm	(J)	1100.0 mm
(C)	992.0 mm	(K)	2209.0 mm
(D)	968.0 mm	(L)	180.0 mm
(E)	987.0 mm	(M)	413.0 mm
(F)	2153.0 mm	(N)	471.0 mm
(G)	1280.0 mm	(O)	1121.0 mm
(H)	2793.0 mm	(P)	550.0 mm
(I)	16.0 mm	(S)	1490.0 mm

Options

Auxiliary double action	Keyless ignition
Auxiliary on arm	LED light
Beacon	Object handling device
Demolition package (arm, bucket cylinder covers & HD travel hoses guard)	(lifteye)
Hydraulic oil cooler	Spark arrester muffler kit
	Travel motion alarm