

# T35-130S 100 V R-Series Telescopic Handler

## Telescopic Specifications

### Performance

|   |            |
|---|------------|
| Rated capacity                            | 3500 kg    |
| Capacity (at max. height on tyres)        | 1000 kg    |
| Capacity at max. height on stabilizers    | 3500 kg    |
| Capacity at max. reach on stabilizers     | 1300 kg    |
| Lifting height                            | 11658.0 mm |
| Tilt Breakout force                       | 12300 daN  |
| Drawbar pull                              | 5700 daN   |
| Max. reach                                | 8764.0 mm  |
| Lifting height on stabilizers (20" tyres) | 12468.0 mm |
| Lifting height on stabilizers (24" tyres) | 12552.0 mm |
| Max. reach on stabilizers (20" tyres)     | 8760.0 mm  |
| Max. reach on stabilizers (24" tyres)     | 8600.0 mm  |

### Cycle times

|                 |        |
|-----------------|--------|
| Boom raising    | 14.0 s |
| Boom lowering   | 8.5 s  |
| Boom extension  | 18.0 s |
| Boom retraction | 11.5 s |
| Crowding        | 5.0 s  |
| Dumping         | 4.5 s  |

### Weights

|                            |         |
|----------------------------|---------|
| Unladen weight (20" tyres) | 8595 kg |
| Unladen weight (24" tyres) | 8695 kg |

### Engine

|                            |            |
|----------------------------|------------|
| Make / Model               | Bobcat D34 |
| Fuel                       | DIESEL     |
| Rated power (ISO 14396)    | 74.0 kW    |
| Rated speed                | 2400.0 RPM |
| Maximum torque at 1400 rpm | 430.0 Nm   |
| Number of cylinders        | 4.0        |
| Displacement               | 3.41 L     |

### Hydraulic system

|                               |  |
|-------------------------------|--|
| Pump type                     | Gear pump with LS valve                                      |
| Pump capacity                 | 100.00 L/min   |
| Relief valve pressure setting | 250.00 bar   |
| Control valve type            | Open center with flow sharing & flow compensators technology |

### Drive system

|              |  |
|--------------|--|
| Transmission | Hydrostatic with electronic regulation |
| Main Drive   | Hydrostatic motor                      |

### Traction

|                                     |                      |
|-------------------------------------|----------------------|
| Standard Tyres                      | 405/70-20 16PR TM R4 |
| Max speed - turtle mode (24" / 20") | 8,5 / 7              |
| Max speed - rabbit mode (24" / 20") | 30 / 26              |

### Brakes

|                             |                    |
|-----------------------------|--------------------|
| Engine Braking              | Hydrostatic        |
| Parking and Emergency brake | Passive brake      |
| Service Brake               | Oil immersed discs |

### Steering

|               |   |
|---------------|---|
| Steering Mode | 2 wheel steering / 4 wheel steering / Crab-steering |
|---------------|---|

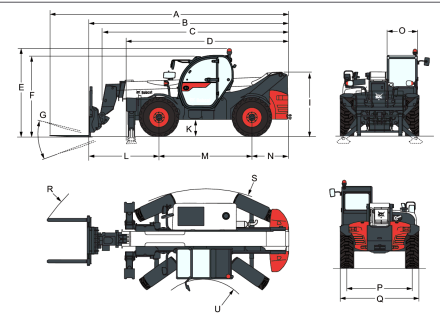
### Fluid Capacities

|                  |          |
|------------------|----------|
| Fuel tank        | 145.00 L |
| Adblue ® tank    | 22.40 L  |
| Hydraulic tank   | 76.00 L  |
| Hydraulic system | 155.00 L |

### Environmental

|                                       |                       |
|---------------------------------------|-----------------------|
| Operator noise level (LpA) (EN 12053) | 75 dB(A)              |
| Level of acoustic power (LwA)         | 106 dB(A)             |
| Whole body vibration (EN 13059)       | 0.90 ms <sup>-2</sup> |

### Dimensions



Values marked with \* - 24" tyres

|     |           |     |           |
|-----|-----------|-----|-----------|
| (A) | 7081.0 mm | (L) | 1919.0 mm |
| (B) | 5876.0 mm | (M) | 2850.0 mm |
| (C) | 5541.0 mm | (N) | 1107.0 mm |
| (D) | 4950.0 mm | (O) | 930.0 mm  |
| (E) | 2586.0 mm | (P) | 1992.0 mm |
| (F) | 2430.0 mm | (Q) | 2418.0 mm |
| (G) | 124.0°    | (R) | 5696.0 mm |
| (I) | 1869.0 mm | (S) | 4150.0 mm |
| (K) | 422.0 mm  | (U) | 1519.0 mm |

### Load Charts

#### Load Charts

