

T35.130SLP 100 IV | Telescopic Specifications

Performance

Lifting height — on stabilisers	12468.0 mm
Lifting height — on tyres	12242.0 mm
Rated capacity	3500 kg
Capacity (at max. height on stabilisers)	3500 kg
Capacity (at max. height on tyres)	3000 kg
Capacity (at max. reach on stabilisers)	1300 kg
Capacity (at max. reach on tyres)	400 kg
Max. reach on tyres	8764.0 mm

Weights

Weight (unladen)	8965 kg
------------------	---------

Traction

Standard tyres	SOLIDEAL 405/70-20 16PR
1st gear / low range	7.0 km/h
1st gear / high range	26.0 km/h

Drive System

Transmission	Hydrostatic with electronic regulation
Main drive	Hydrostatic motor

Engine

Make / Model	Bobcat D34
Fuel	Diesel
Cooling	Coolant
Rated power (ISO 14396:2002) at 2400 RPM	100.0 HP
Rated power (ISO 14396:2002) at 2400 RPM	74.5 kW
Maximum torque at 1400 RPM	430.0 Nm
Number of cylinders	4
Displacement	3.40 L

*Stage IIIB Bobcat D34 also available in 55kW/75HP version (without SCR/Ad-Blue after-treatment)

Hydraulic System

Pump type	Gear pump with LS valve
Pump capacity	100.00 L/min
Relief valve pressure setting	250.00 bar

Cycle Times

Lift time - no load	14.0 s
Lower time - no load	8.5 s
Telescope in time at max. reach - no load	11.5 s
Telescope in time at max. height - no load	11.5 s
Telescope out time at max. reach - no load	18.0 s
Telescope out time at max. height - no load	18.0 s

Brakes

Engine braking	Hydrostatic
Parking and emergency brake	Passive brake

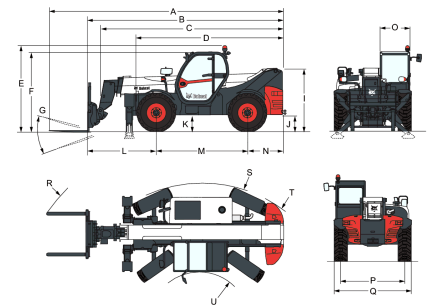
Fluid Capacities

Fuel tank	145.00 L
Hydraulic reservoir	76.00 L

Environmental

Operator noise level (LpA) (EN 12053)	78 dB(A)
Level of acoustic power (LWA)	106 dB(A)
Whole body vibration (EN 13059)	1.20 ms ⁻²

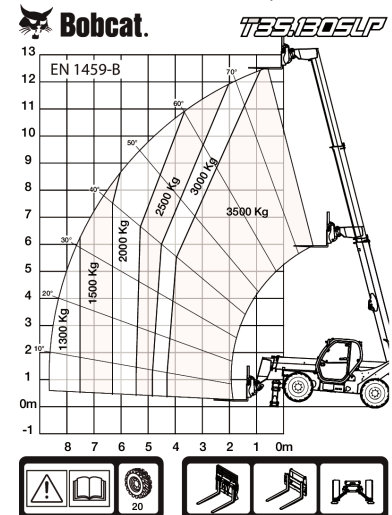
Dimensions



(-) 857.0 mm	(L) 1919.0 mm
(A) 7081.0 mm	(M) 2850.0 mm
(B) 5876.0 mm	(N) 1107.0 mm
(C) 5541.0 mm	(O) 930.0 mm
(D) 4497.0 mm	(P) 1992.0 mm
(E) 2586.0 mm	(Q) 2418.0 mm
(F) 2449.0 mm	(R) 5696.0 mm
(G) 124.0°	(S) 4150.0 mm
(I) 1869.0 mm	(U) 1519.0 mm
(J) 422.0 mm	

Load Charts

With forks and standard 405/70x20 tyres, on stabilizers



98727 G7

7288762

Options

Air conditioning	Basic option tyres - set of 4 x 400/80-24"
Boom stop	Basic tow hitch
Custom colour	Boom wiring harness and electric connectors
Fire extinguisher	Dunlop tyres - set of 4 x 405/70-24" SPT9 MPT (SEMI INDUSTRIAL)
Forward/Reverse control on Steering Wheel Lever (no longer on joystick)	High comfort air suspension seat
Lockable fuel cap	Keyless ignition (start/stop with keypad)
Loudspeaker & radio ready	Manitou carriage with manual attachment lock
PVC Document holder	Manitou carriage with hydraulic attachment lock (boom wiring harness mandatory)
Pintle tow hitch (including rear electric socket)	Michelin tyres - set of 4 x 400/80-24" 162A8 IND TL
Protective grill for windshield (front and roof)	POWER CL
Rear Flat Mirror	Pallet forks 1200mm length / Rigid frame / Forks included / Backrest included / For Quicktach tool carrier
Roof window wiper	
Sun visor	
Support for vehicle registration plate	
Wheel wedge	
Work lights on boom	
Proportional engine fan with inverter	
Remote control system with on-board charger	

Pallet forks 1200mm length
/ Floating / 1,44m carriage
/ Forks included / Backrest
included / For Quicktach tool
carrier
Quicktach carriage with
hydraulic attachment lock
(boom wiring harness
mandatory)
Rotating tow hitch (including
rear electric socket)
Standard engine ignition
(with key) with additional
keypad security
Pallet forks 1200mm length
/ Floating / 1,12m carriage
/ Forks included / Backrest
included / For Manitach tool
carrier
Pallet forks 1200mm length
/ Floating / 1,44m carriage
/ Forks included / Backrest
included / For Manitach tool
carrier
Pallet forks 1200mm length /
Rigid frame / Forks included
/ Backrest included / For
Manitach tool carrier