

**Performance**

Lifting height — on tyres	6331.0 mm
Rated capacity	3400 kg
Capacity (at max. height on tyres)	3400 kg
Capacity (at max. reach on tyres)	1300 kg
Max. reach on tyres	3369.0 mm

**Weights**

Weight (unladen)	6550 kg
------------------	---------

**Traction**

Standard tyres	SOLIDEAL 405/70-20 14PR
1st gear / low range (40 km/h option)	6 (6) km/h
1st gear / high range (40 km/h option)	11 (12) km/h
2nd gear / low range (40 km/h option)	16 (18) km/h
2nd gear / high range (40 km/h option)	30 (40) km/h

**Drive System**

Transmission	Hydrostatic with electronic regulation
Main drive	Hydrostatic motor + 2 speed gearbox

**Engine**

Make / Model	Bobcat D34
Fuel	Diesel
Coolant	Coolant
Rated power (ISO 14396:2002) at 2400 RPM	130.0 HP
Rated power (ISO 14396:2002) at 2400 RPM	97.0 kW
Maximum torque at 1400 RPM	500.0 Nm
Number of cylinders	4
Displacement	3.40 L

**Hydraulic System**

Pump type	LS piston pump with electric displacement limiter
Pump capacity	190.00 L/min
Relief valve pressure setting	255.00 bar

**Cycle Times**

Lift time - no load	4.9 s
Lower time - no load	4.3 s
Telescope in time at max. reach - no load	3.7 s
Telescope in time at max. height - no load	3.7 s
Telescope out time at max. reach - no load	4.0 s
Telescope out time at max. height - no load	3.8 s

**Brakes**

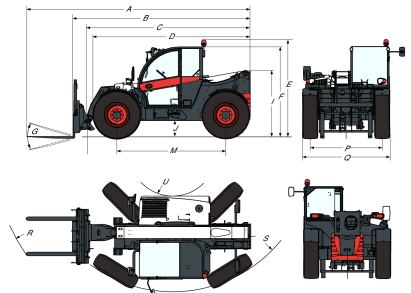
Engine braking	Hydrostatic
Parking and emergency brake	Passive brake

**Fluid Capacities**

Fuel tank	138.00 L
Hydraulic reservoir	59.00 L

**Environmental**

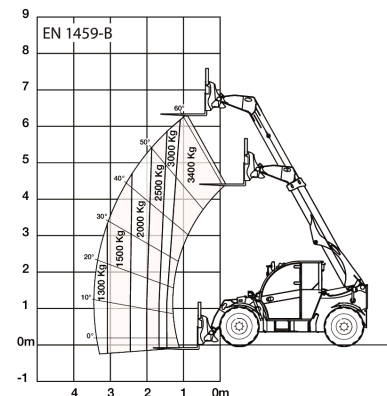
Operator noise level (LpA) (EN 12053)	73 dB(A)
Level of acoustic power (LWA)	107 dB(A)
Whole body vibration (EN 13059)	1.20 ms <sup>-2</sup>

**Dimensions**


(-) 900.0 mm	(L) 1156.0 mm
(A) 5874.0 mm	(M) 2870.0 mm
(B) 4669.0 mm	(N) 643.0 mm
(C) 4563.0 mm	(O) 1013.0 mm
(D) 4058.0 mm	(P) 1895.0 mm
(E) 2477.0 mm	(Q) 2300.0 mm
(F) 2340.0 mm	(R) 4758.0 mm
(G) 135.0°	(S) 4852.0 mm
(I) 1668.0 mm	(T) 3714.0 mm
(J) 346.0 mm	(U) 1092.0 mm

**Load Charts**

With forks on 20 inch tyres



99161 G7

7295865

**Options**

Air conditioning	Manitou carriage with hydraulic attachment lock
Boom stop	(boom wiring harness mandatory)
Custom colour	
Fire extinguisher	Manitou carriage with manual attachment lock
Forward/Reverse control on Steering Wheel Lever (no longer on joystick)	Basic option tyres - set of 4 x 400/80-24"
Lockable fuel cap	Blue lights for henhouses
Loudspeaker & radio ready	Boom suspension
PVC Document holder	Dunlop tyres - set of 4 x 405/70-20" SPT9 MPT (SEMI INDUSTRIAL)
Pintle tow hitch (including rear electric socket)	Dunlop tyres - set of 4 x 405/70-24" SPT9 MPT (SEMI INDUSTRIAL)
Protective grill for windshield (front and roof)	Forward/Reverse control on joystick and steering wheel
Rear Flat Mirror	Front tow hitch
Roof window wiper	Fan inverter with manual & auto modes
Sun visor	Rear auxiliary line
Support for vehicle registration plate	Rotating tow hitch with height adjustment (auto-lock/German style)
Wheel wedge	
Work lights on boom	
Basic tow hitch	
High comfort air suspension seat	
Keyless ignition (start/stop with keypad)	

Michelin tyres - set of 4 x 400/80-24" 162A8 IND TL POWER CL	(including rear electric socket)
Quicktach carriage with hydraulic attachment lock (boom wiring harness mandatory)	Rotating tow hitch with height adjustment (manual locking) (including rear electric socket)
Rotating tow hitch (including rear electric socket)	Trailer brake valve (not available for Germany & Italy)
Standard engine ignition (with key) with additional keypad security	Transmission 40km/h (max speed with 24" tyres)
	Michelin tyres - set of 4 x 460/70R24" XMCL (AGRICULTURAL)
	Michelin tyres - set of 4 x 500/70R24" XMCL (AGRICULTURAL) (Except overseas countries - Container shipping)
	Nokian recycling tyres - set of 4 x 480/65R24" TRI STEEL (RECYCLING)
	Arm rest
	Boom wiring harness and electric connectors
	Tool box
	Hydraulic pick-up tow hitch (including rear electric socket) (rear flat mirror mandatory)
	Tractor homologation (mandatory options: rear tow hitch + rear electric socket, front tow hitch, support for vehicle registration plate)