

Performance with bucket

Bucket capacity	0.8 m ³
Bucket range	0.6 - 1.2 m ³
Tipping load, straight (ISO 14397-1)	3801 kg
Tipping load, articulated at 40° (ISO 14397-1)	3151 kg
Rated operating capacity (ISO 14397-1)	1901 kg
Lift breakout force (ISO 14397-2)	48.80 kN
Lift capacity (ISO 14397-2)	36.90 kN

Performance with pallet fork

Tipping load, straight (ISO 14397-1)	2910 kg
Tipping load, articulated at 40° (ISO 14397-1)	2451 kg

Engine

Model	2.4L V2 BOBCAT ENGINE
Compliancy	STAGE V
Cooling	Liquid
Fuel	Diesel
Power at 2600RPM (ISO 14396):	50.7 kW

Weights

Operating weight, standard (ISO 6016)	5091 kg
Shipping weight, standard (ISO 6016)	4674 kg
Max front axle load	6000 kg
Max rear axle load	6000 kg

Hydraulic System

System Relief @ Quick Couplers	20.5 MPa
Auxiliary Std Flow	75.40 L/min
Auxiliary High Flow	103.50 L/min

Drive System

Main Drive	Proportionally regulated hydrostatic motor
Transmission	Hydrostatic with electronic regulation

Controls

Vehicle steering	Machine articulation via hydraulic steering with steering wheel
Travel Direction	Travel direction switch (F-N-R) on joysticks. Drive pedal in work and travel mode.
Machine hydraulics	Dual axis joystick for lift, tilt and auxiliary
Vehicle braking	Combination of integrated 6 wet brake disk in rear axle with hydrostatic braking effect provision

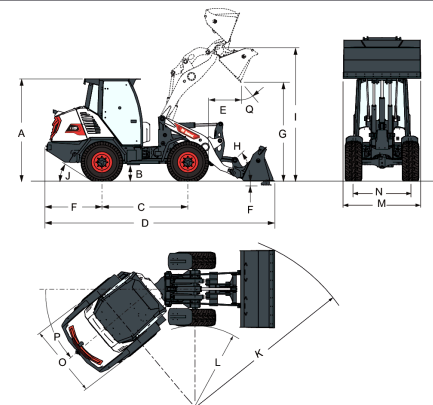
Standard Features

Advanced Attachment Controls	Radio Ready
7-pin attachment control	Rear View Camera
Bobcat Telematics Europe	Road Lights Halogen
Bucket Level Indicator	2 speed 20km/h
Brakes Standard	Standard-flow auxiliary hydraulics
Automatic parking brake	Wax Coat Treatment
Cloth Suspension Seat	Wheels 405/70 R18
Deluxe pressurized cab with heating	Work Lights LED
Differential Lock	12 V power outlet
Key Ignition with Password	USB Charger
Power Quicktach	Warranty: 24 months or 2000 hours (whichever occurs first)

Options

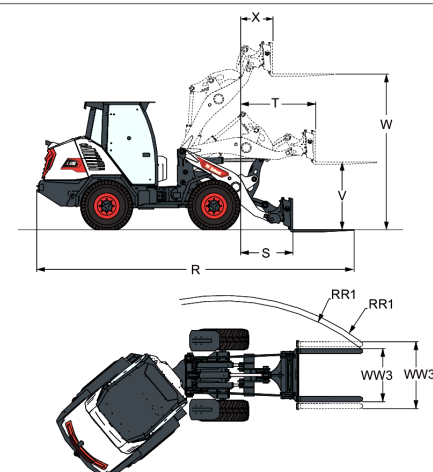
Automatic Ride Control	Road Lights LED
Beacon	Road Package
Brakes German	2 speed 30km/h
Deluxe pressurized cab with HVAC	Wheels 335/80 R18
Fire Extinguisher	Wheels 365/70 R18
High-flow auxiliary hydraulics	Wheels 405/70 R20

Dimensions



(A)	2497.7 mm	(J)	33.4°
(B)	427.0 mm	(K)	3829.8 mm
(C)	2100.0 mm	(L)	1985.6 mm
(D)	5452.7 mm	(M)	1900.0 mm
(E)	686.0 mm	(N)	1393.0 mm
(F)	100.0 mm	(O)	1800.0 mm
(G)	2507.5 mm	(P)	40.0°
(I)	3250.0 mm	(Q)	45.0°

Dimensions - Pallet fork



(R)	5979.4 mm	(V)	1374.0 mm
(RR1)	4262 - 4472.6 mm	(W)	3100.0 mm
(S)	795.9 mm	(WW3)	773.6 - 1313.6 mm
(T)	1277.7 mm	(X)	441.9 mm