

TR40-180 V Rotary Telescopic Handler

Telescopic Specifications

Performance

Rated capacity	4,000 kg @ 500 mm Load Center
Max. lifting height (stabilisers fully extended)	18 m
Capacity at max. height (stabilisers fully extended)	3000 kg
Turret Rotation	+/-200° (limited)
Max. speed	25.0 km/h

Stabilisers

Type	Pivoting stabilisers
Stabilization system	Ground pressure detection. Automatic levelling.

Weights

Weight (unladen)	14400 kg
------------------	----------

Engine

Make / Model	DEUTZ TCD 3.6 L4
Compliance	stage V
Rated power (ISO 14396)	55 kW (75 hp) @ 2,200 rpm
Maximum torque	405 Nm @ 1,300 rpm
Number of cylinders	4.0
Displacement	3.60 L

Hydraulic System

Pump capacity	70.00 L/min
Relief valve pressure setting	270.00 bar
Control valve (boom and turret)	Electro-proportional with flow sharing

Drive System

Transmission	Hydrostatic with electronic regulation / 4 wheel drive
Main drive	Electronically controlled variable displacement pump. Variable displacement motor. 2-speed gear box

Traction

Standard tyres	445/65 R19,5
Towing force	74.00 kN
Gradeability	53.00 %

Axles and brakes

Axle type	Oil-immersed axles with planetary gears
Rear axle	Oscillating and steering with hydraulic locking
Front axle	steering
Service brake	Hydraulically operated wet multi-disk brakes on each axle
Parking brake	Hydraulic with negative action

Steering

Steering modes	3 steering modes with semi-automatic wheel realignment. 2 wheel steering / 4 wheel steering / Crab-steer
External turning radius (with forks)	4 m

Fluid Capacities

Fuel tank	175.00 L
Adblue	10.00 L
Hydraulic reservoir	165.00 L

Environmental

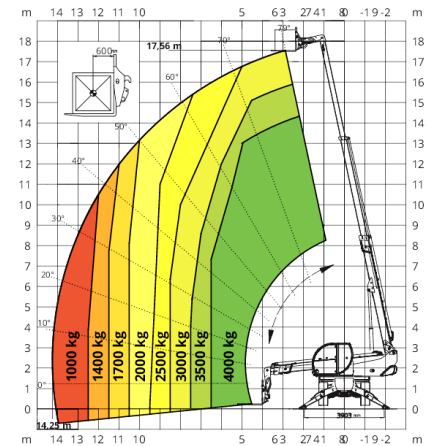
Operator noise level (LpA) (En 12053)	74 dB(A)
Level of acoustic power (LWA)	104 dB(A)
Whole body vibration (ISO 2631-1):	0.42 ms ⁻²
Hand-arm vibration (ISO 5349-1)	0.41 ms ⁻²

Standards

Standard compliance	EN 1459-2: slewing variable-reach trucks. EN 13000: hydraulic cranes. EN 280: mobile elevating work platforms. FOPS/ROPS cabin. EU 2016/1628: engine emissions
---------------------	--

Load Chart

360° LOAD CHART
ON FULLY EXTENDED STABILISERS



Dimensions - mm

