

Performance

Bucket capacity	0.8 m ³
Bucket range	0.6 - 1.2 m ³
Tipping load bucket, straight (ISO 14397-1)	2953 kg
Tipping load bucket, articulated at 40° (ISO 14397-1)	2564 kg
Tipping load forks, straight (ISO 14397-1)	2349 kg
Tipping load forks, articulated at 40° (ISO 14397-1)	1985 kg
Lift breakout force (ISO 14397-2)	4023 kg
Lift capacity (ISO 14397-2)	2064 kg

Engine

Model	2.4L V2 BOBCAT ENGINE
Compliance	STAGE V
Cooling	Liquid
Fuel	Diesel
Fuel Tank	78.80 L
Power at 2600 RPM (ISO 14396):	41.0 kW

Weights

Operating weight, standard (ISO 6016)	4635 kg
Shipping weight, standard (ISO 6016)	4218 kg
Max front axle load	8400 kg
Max rear axle load	6000 kg

Hydraulic System

System Relief @ Quick Couplers	42.0 MPa
Hydraulic Tank	27.20 L
Auxiliary Std Flow	75.40 L/min

Drive System

Main Drive	Proportionally regulated hydrostatic motor
Transmission	Hydrostatic with electronic regulation

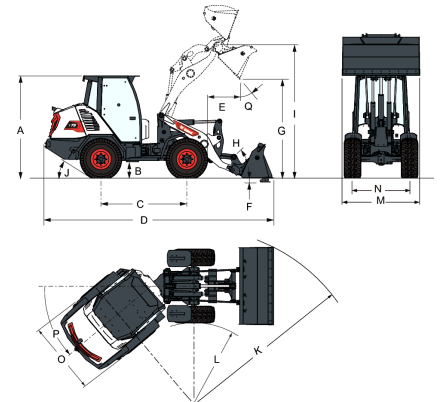
Controls

Vehicle steering	Machine articulation via hydraulic steering with steering wheel
Travel Direction	Travel direction switch (F-N-R) on joysticks. Drive pedal in work and travel mode.
Machine hydraulics	Dual axis joystick for lift, tilt and auxiliary
Vehicle braking	Combination of integrated 6 wet brake disk in rear axle with hydrostatic braking effect provision

Environmental

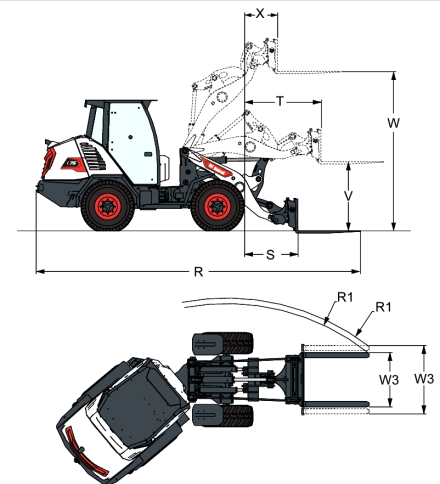
Noise level LpA(EU Directive 2000/14/EC)	100 dB(A)
Noise level LWA(at operator's ear)	79 dB(A)
Whole body vibration below	0.81 ms ⁻²
Hand-arm vibration below	1.05 ms ⁻²

Dimensions



(A)	2472.7 mm	(J)	32.1°
(B)	402.0 mm	(K)	4280.4 mm
(C)	2100.0 mm	(L)	2000.6 mm
(D)	5471.3 mm	(M)	1900.0 mm
(E)	714.0 mm	(N)	1410.0 mm
(F)	125.0 mm	(O)	1770.0 mm
(G)	2482.5 mm	(P)	40.0°
(I)	3225.0 mm	(Q)	45.0°

Dimensions - Pallet fork



(R)	5999.1 mm	(V)	1349.0 mm
(R1)	4262 - 4472.6 mm	(W)	3075.0 mm
(S)	843.6 mm	(W3)	773.6 - 1313.6 mm
(T)	1305.7 mm	(X)	469.9 mm